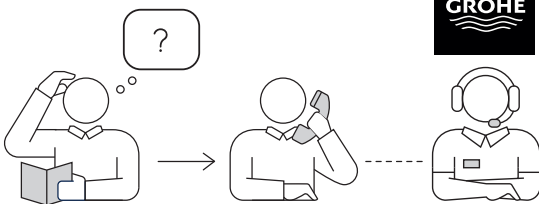
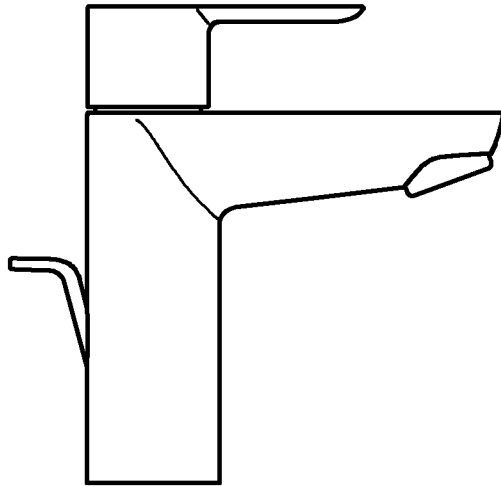


DESIGN + ENGINEERING  
GROHE GERMANY

99.1636.031/ÄM 250222/08.21

www.grohe.com

*Pure Freude  
an Wasser*





DIN  
1988

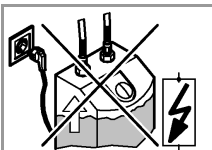
DIN EN  
806

**bar**

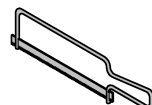
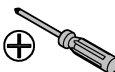
max. 10  
0,5 5 1

**°C**

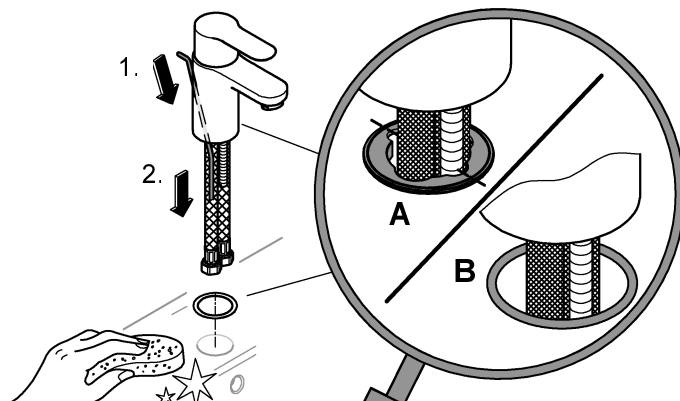
max. 70° 60°



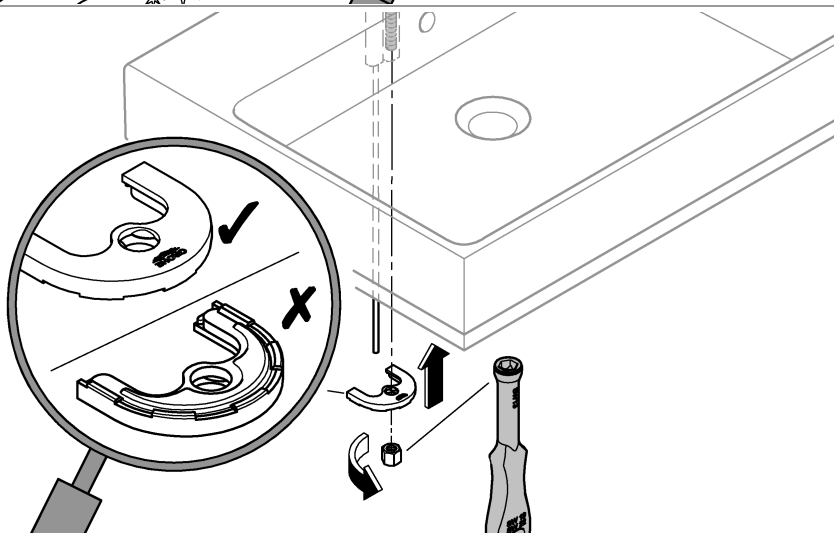
13mm  
19mm  
22mm

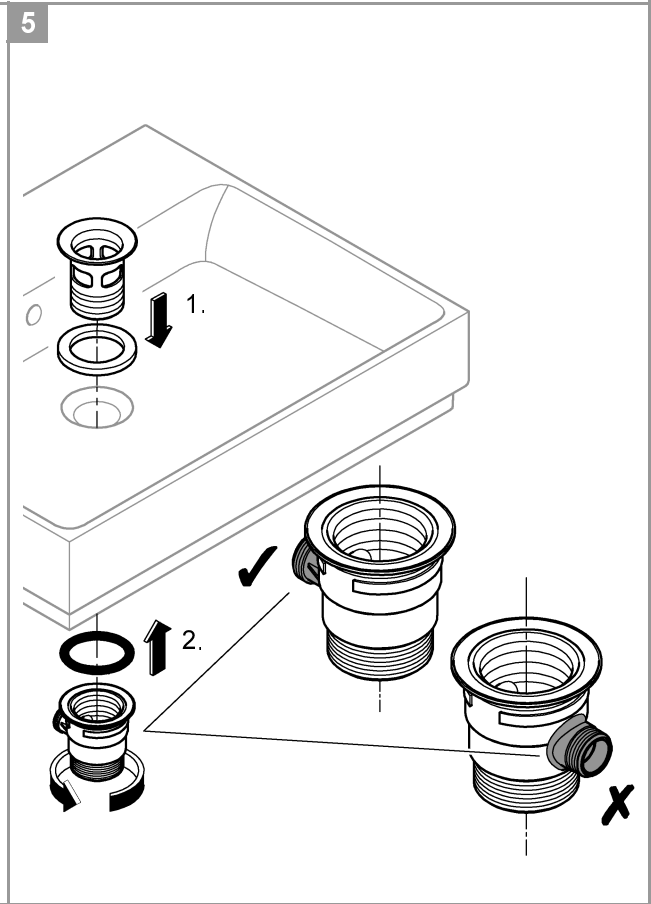
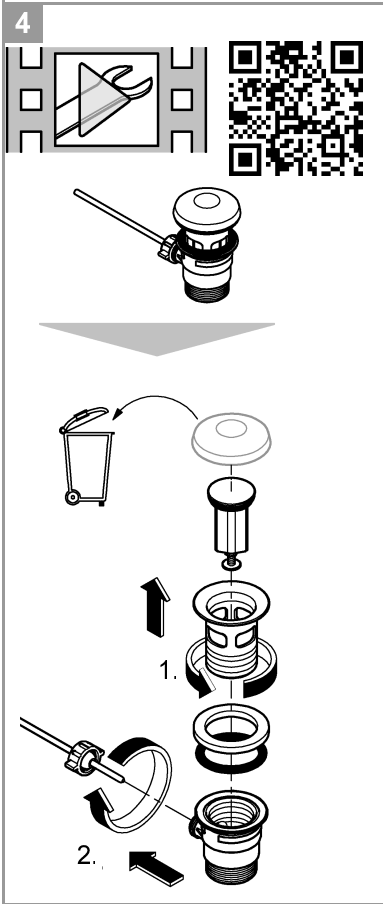
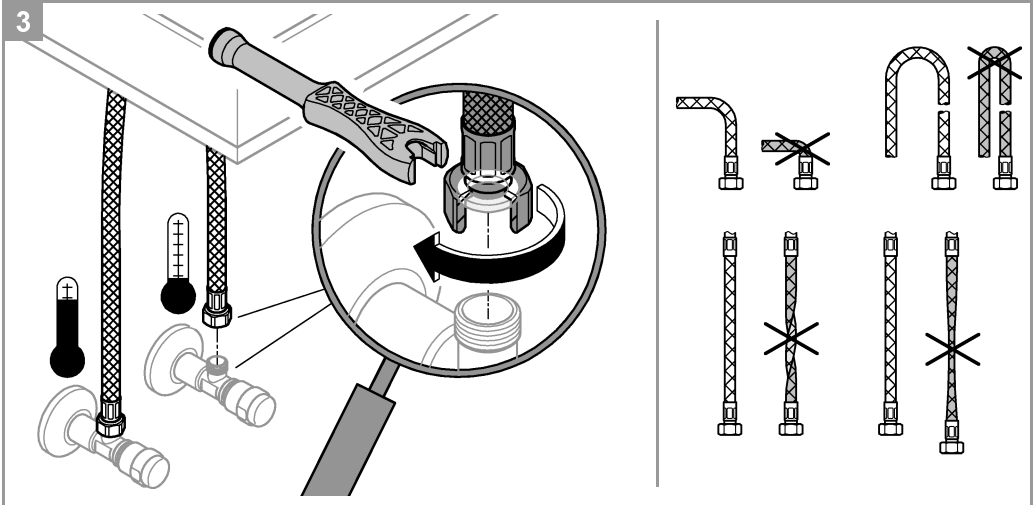


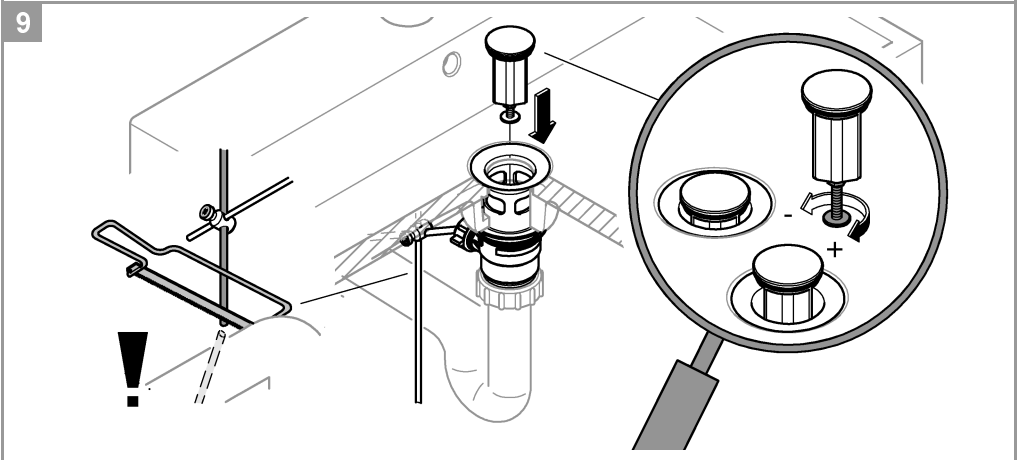
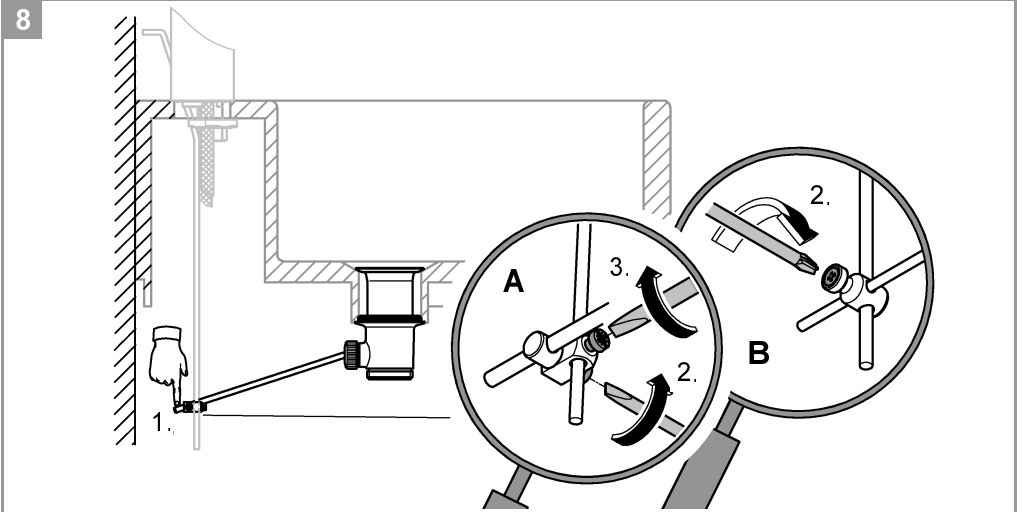
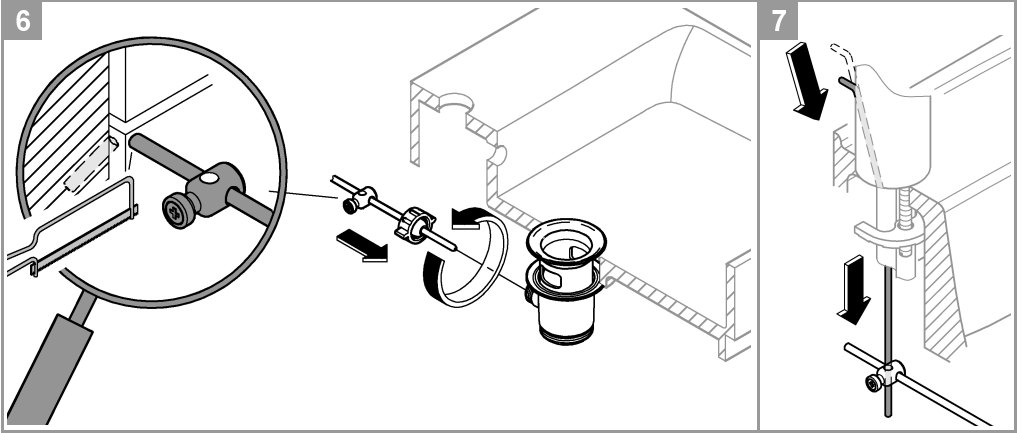
1

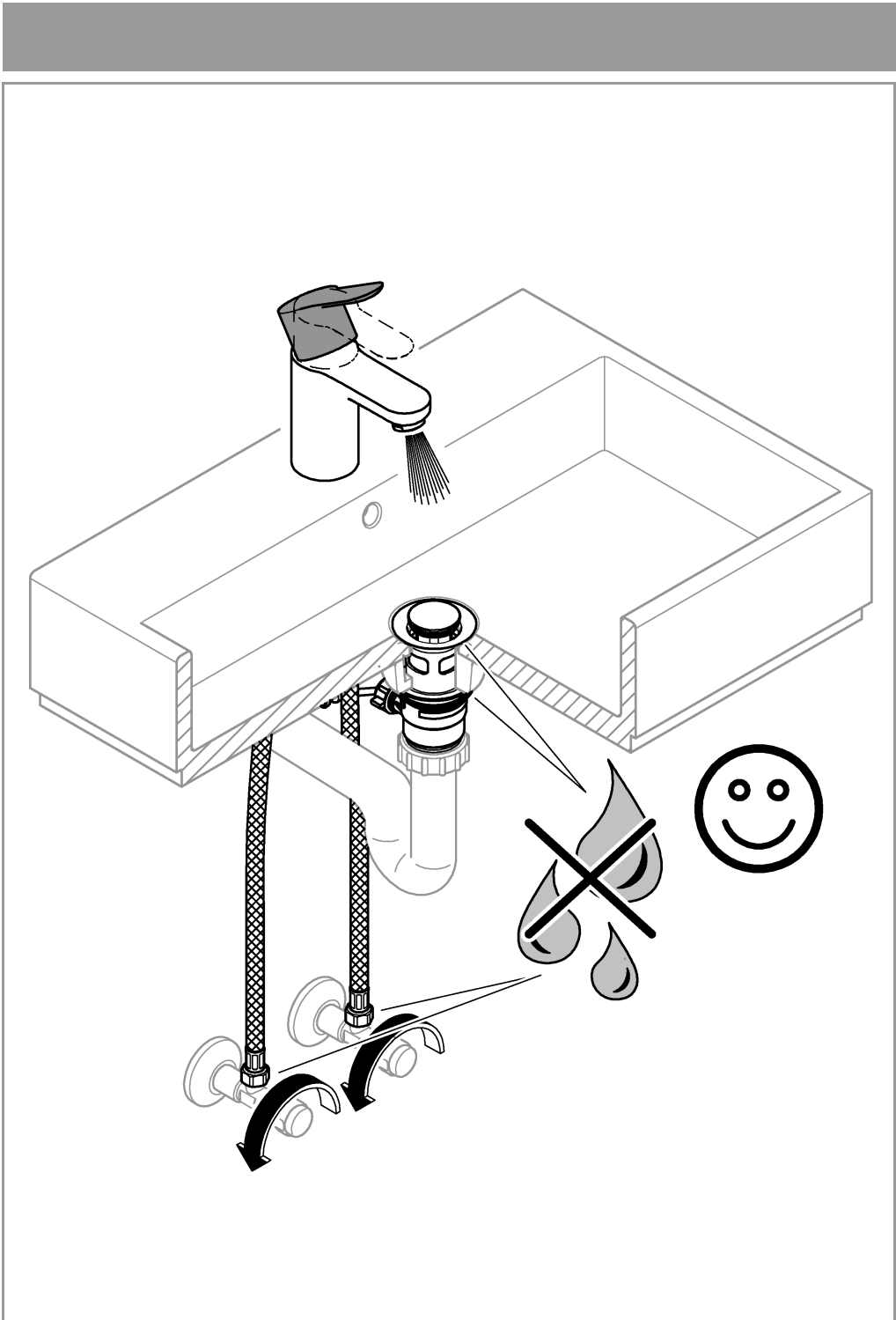


2











A series of horizontal lines for writing, consisting of 20 evenly spaced lines extending across the width of the page.